



ORIGINAL

मूल/No : 134802



भारत सरकार  
GOVERNMENT OF INDIA  
पेटेंट कार्यालय  
THE PATENT OFFICE

डिजाइन के पंजीकरण का प्रमाणपत्र  
CERTIFICATE OF REGISTRATION OF DESIGN

डिजाइन सं. / Design No. : 380127-001  
तारीख / Date : 25/02/2023  
पारस्परिकता तारीख / Reciprocity Date\* :  
देश / Country :

प्रमाणित किया जाता है कि संलग्न प्रति में वर्णित डिजाइन जो **WATER FILTER CARTRIDGE** से संबंधित है, का पंजीकरण, श्रेणी **23-01** में 1.Andhra University 2. Prof. James Stephen Meka 3.Mr. K. Venkata Kiran 4.Mr.Kuvala Raj Kumar 5.Prof. Prasad Reddy P.V.G.D. के नाम में उपर्युक्त संख्या और तारीख में कर लिया गया है।

Certified that the design of which a copy is annexed hereto has been registered as of the number and date given above in class **23-01** in respect of the application of such design to **WATER FILTER CARTRIDGE** in the name of 1.Andhra University 2. Prof. James Stephen Meka 3.Mr. K. Venkata Kiran 4.Mr.Kuvala Raj Kumar 5.Prof. Prasad Reddy P.V.G.D..

डिजाइन अधिनियम, 2000 तथा डिजाइन नियम, 2001 के अध्याधीन प्रावधानों के अनुसरण में।

In pursuance of and subject to the provisions of the Designs Act, 2000 and the Designs Rules, 2001.

INTELLECTUAL  
PROPERTY INDIA  
PATENTS | DESIGNS | TRADE MARKS  
GEOGRAPHICAL INDICATIONS

निर्गमन की तारीख/Date of Issue : 11/05/2023

  
महानियंत्रक पेटेंट डिजाइन और व्यापार चिह्न  
Controller General of Patents, Designs and Trade Marks

पारस्परिकता तारीख (यदि कोई हो) जिसकी अनुमति देश के नाम पर की गई है। डिजाइन का सत्त्वाधिकार पंजीकरण की तारीख से दस वर्षों के लिए होगा जिसका विस्तार, अधिनियम एवं नियम के निबंधनों के अधीन, पाँच वर्षों की अतिरिक्त अवधि के लिए किया जा सकेगा। इस प्रमाण पत्र का उपयोग विधिक कार्यवाहियों अथवा विदेश में पंजीकरण प्राप्त करने के लिए नहीं हो सकता है।

\*The reciprocity date (if any) which has been allowed and the name of the country. Copyright in the design will subsist for ten years from the date of Registration, and may under the terms of the Act and Rules, be extended for a further period of five years. This Certificate is not for use in legal proceedings or for obtaining registration abroad.

<b>Design Number</b>	378068-001	
<b>Class</b>	02-02	
<b>Indo Era Designs Shop No. B-4040, Lift No. 5, Aashirwad Textile Market, Opp. Landmark Empires, Puna Khumbhariya, Near TATA Showroom, Magob, Surat-395010, Gujarat, India</b>		
<b>Date of Registration</b>	27/01/2023	
<b>Title</b>	LADIES GARMENT (SET)	
<b>Priority NA</b>		
<b>Design Number</b>	380127-001	
<b>Class</b>	23-01	
<b>1.Andhra University Visakhapatnam, Andhra Pradesh, India. Pin Code: 530003. 2. Prof. James Stephen Meka Dr. B. R. Ambedkar Chair Professor, Dean, A.U. TDR-HUB, Andhra University, Visakhapatnam, Andhra Pradesh, India. Pin Code: 530003. 3. Mr. K. Venkata Kiran Associate Professor, Department of Computer Science and Engineering, Welfare Institute of Science Technology and Management, Pinagadi Village, Pendurthy Mandal, Visakhapatnam, Andhra Pradesh, India. Pin Code:531173. 4. Mr.Kuvala Raj Kumar Assistant Professor, Department of Mechanical Engineering, Welfare Institute of Science Technology and Management, Pinagadi Village, Pendurthy Mandal, Visakhapatnam, Andhra Pradesh, India. Pin Code:531173. , et al.</b>		
<b>Date of Registration</b>	25/02/2023	
<b>Title</b>	Water Filter Cartridge	
<b>Priority NA</b>		
<b>Design Number</b>	378828-001	
<b>Class</b>	16-06	
<b>1.Mr.Anandbabu Gopatoti Department of ECE, Hindusthan College of Engineering &amp; Technology (Autonomous), Coimbatore, Tamil Nadu, India. Pin Code: 641032. 2. Mrs.Vani.R Assistant Professor, Department of Mechanical Engineering, Yenepoya Institute of Technology, Moodabidri, Mangalore, Karnataka, India. Pin Code:574255. 3. Mr.N.Raghava Rao Assistant Professor, Department of Information Technology, Institute of Aeronautical Engineering, Medchal Malkajgiri, Hyderabad, Telangana, India. Pin Code:500043. 4. Mr.Neeraj Kumar Ph.D Research Scholar in School of Information Technology, University Teaching Department (UTD), Rajiv Gandhi Proudhyogiki Vishwavidyalaya (RGPV), Bhopal, Madhya Pradesh, India. Pin Code:462033.</b>		
<b>Date of Registration</b>	07/02/2023	
<b>Title</b>	Solitaire Microscope	
<b>Priority NA</b>		

**FORM 1**  
**APPLICATION FOR REGISTRATION OF DESIGNS**

[See section 5 and 44]

<b>(For Fee see First Schedule)</b>	
<sup>A</sup> Insert number of class	<p>You are requested to register the accompanying in Class: 23-00- Fluid distribution equipment, sanitary, heating, ventilation and air-conditioning equipment, solid fuel and Sub-Class: <u>23-01-fluid distribution equipment note: including pipes and pipe fittings.</u> in the name of:</p> <ol style="list-style-type: none"> <li>1. Andhra University, an Educational Institution, Address: Visakhapatnam, Andhra Pradesh, India. Pin Code: 530003.</li> <li>2. Prof. James Stephen Meka, an Indian Citizen, Address: Dr. B. R. Ambedkar Chair Professor, Dean, A.U. TDR-HUB, Andhra University, Visakhapatnam, Andhra Pradesh, India. Pin Code: 530003.</li> <li>3. Mr. K. Venkata Kiran, an Indian Citizen, Address: Associate Professor, Department of Computer Science and Engineering, Welfare Institute of Science Technology and Management, Pinagadi Village, Pendurthy Mandal, Visakhapatnam, Andhra Pradesh, India. Pin Code:531173.</li> <li>4. Mr.Kuvala Raj Kumar, an Indian Citizen, Address: Assistant Professor, Department of Mechanical Engineering, Welfare Institute of Science Technology and Management, Pinagadi Village, Pendurthy Mandal, Visakhapatnam, Andhra Pradesh, India. Pin Code:531173.</li> <li>5. Prof. Prasad Reddy P.V.G.D., an Indian Citizen,</li> </ol>
<sup>B</sup> Insert (in full) address and nationality	
<sup>B<sup>1</sup></sup> Category of applicant [Please tick (✓) for the appropriate category]	

	<p>Address: Senior Professor, Department of CS &amp; SE, A.U. College of Engineering (A), Andhra University, Visakhapatnam, Andhra Pradesh, India. Pin Code: 530003.</p> <p>who claim(s) to be the proprietor(s) thereof.</p> <p>Natural Person (✓) Start-up ( ) Small Entity ( )</p> <p>Others ( )</p>
<p><sup>C</sup> State whether drawings, photographs, tracings or specimens.</p>	<p>Four exactly similar <b>drawings</b> of the design accompany this request.</p>
<p><sup>D</sup> Insert name of article or articles to which the design is to be applied or state trade description of each of the articles contained in the set</p>	<p>The design is to be applied to "<b><u>Water Filter Cartridge</u></b>".</p>

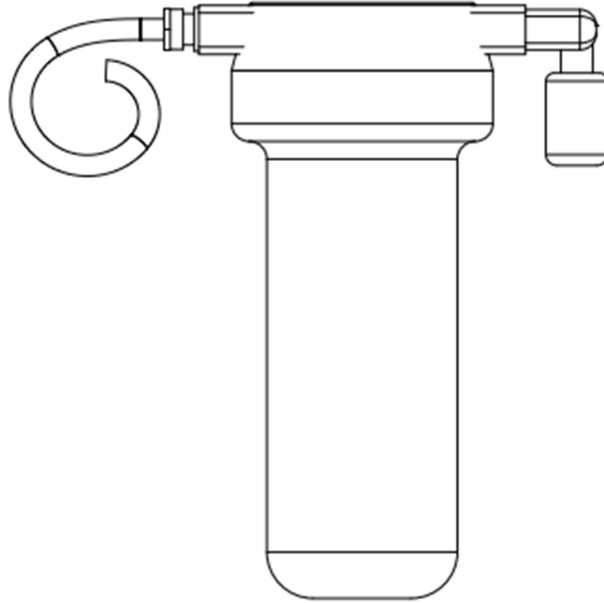
<p><sup>E</sup> Strike out these words if previous registration has been effected.</p>	<p><del><sup>E</sup> The design has been previously registered in class(es)..... under</del></p> <p><del>No.....</del></p> <p><del>Details of first application in a convention country or group of countries or inter-governmental organisation-</del></p> <p><del>i. Name of the country/inter-governmental organization....</del></p> <p><del>ii. Date of filing.....</del></p> <p><del>iii. Application number.....</del></p> <p><del>iv. Name of the applicant</del></p> <p><del>.....</del></p>
<p><sup>F</sup> Unless an address for service in India is given, the request may not be considered.</p>	<p>Address for service in India is,</p> <p>B-1/482, street No.-4, Vijay Park, Maujpur, New</p>

	Delhi-110053 Mobile No: 9542354100
<sup>G</sup> To be signed by the applicant or by authorized agent.	Declaration: The applicant claims to be the proprietor(s) of the design and that to the best of his knowledge and belief the design is new or original. Dated this 24 <sup>th</sup> Day of February 2023.  <b>Agent for the Applicant</b>

To,  
The Controller of Designs,  
The Patent Office, Kolkata

**Name of the Applicant(s):**

1. Andhra University
2. Prof. James Stephen Meka
3. Mr. K. Venkata Kiran
4. Mr.Kuvala Raj Kumar
5. Prof. Prasad Reddy P.V.G.D.



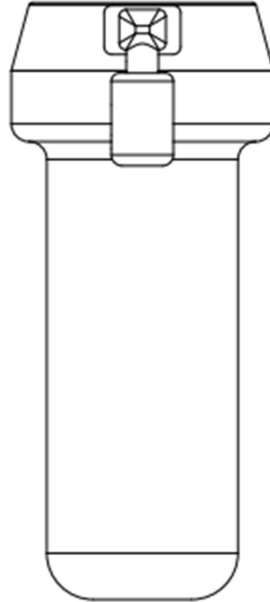
**FIG. 1 Front View**

The novelty resides in the shape and configuration of "Water Filter Cartridge" as illustrated. No claim is made by virtue of this registration in respect of any action of the mechanism whatever or in respect of any mode or principle of construction of the article. No claim is made by virtue of the registration to any right to the exclusive use of the words, letters, numbers, colour, combination or Trademarks as appearing in the representation.

**Dated: 24/02/2023**

**Name of the Applicant(s):**

1. Andhra University
2. Prof. James Stephen Meka
3. Mr. K. Venkata Kiran
4. Mr. Kuvala Raj Kumar
5. Prof. Prasad Reddy P.V.G.D.



**FIG. 2 Right Side View**

The novelty resides in the shape and configuration of "Water Filter Cartridge" as illustrated.

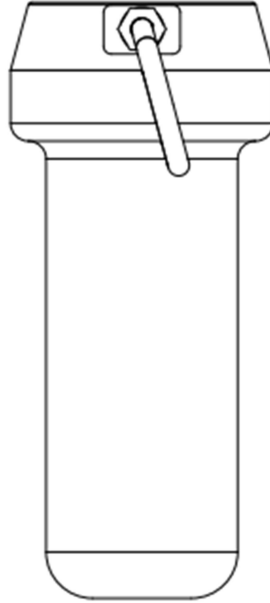
No claim is made by virtue of this registration in respect of any action of the mechanism whatever or in respect of any mode or principle of construction of the article.

No claim is made by virtue of the registration to any right to the exclusive use of the words, letters, numbers, colour, combination or Trademarks as appearing in the representation.

**Dated: 24/02/2023**

**Name of the Applicant(s):**

1. Andhra University
2. Prof. James Stephen Meka
3. Mr. K. Venkata Kiran
4. Mr.Kuvala Raj Kumar
5. Prof. Prasad Reddy P.V.G.D.



**FIG. 3 Left Side View**

The novelty resides in the shape and configuration of "Water Filter Cartridge" as illustrated.

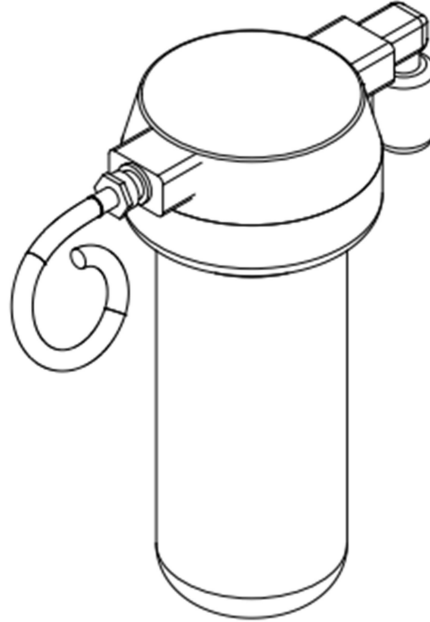
No claim is made by virtue of this registration in respect of any action of the mechanism whatever or in respect of any mode or principle of construction of the article.

No claim is made by virtue of the registration to any right to the exclusive use of the words, letters, numbers, colour, combination or Trademarks as appearing in the representation.

**Dated: 24/02/2023**



1. Andhra University
2. Prof. James Stephen Meka
3. Mr. K. Venkata Kiran
4. Mr. Kuvala Raj Kumar
5. Prof. Prasad Reddy P.V.G.D.



**FIG. 4 Perspective View**

The novelty resides in the shape and configuration of "Water Filter Cartridge" as illustrated.

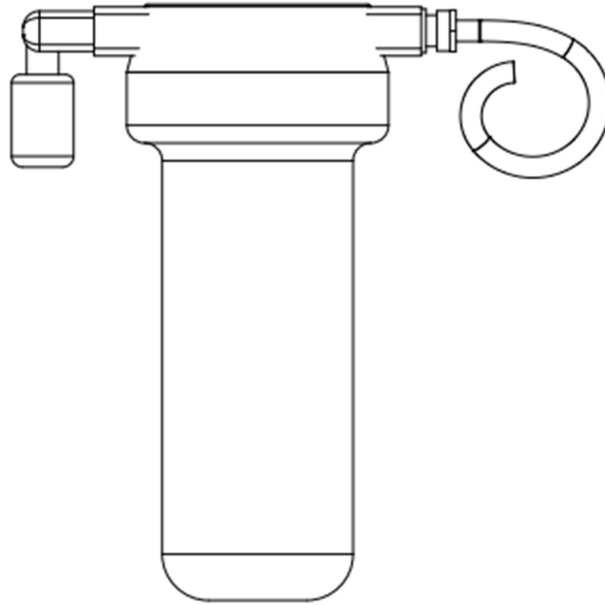
No claim is made by virtue of this registration in respect of any action of the mechanism whatever or in respect of any mode or principle of construction of the article.

No claim is made by virtue of the registration to any right to the exclusive use of the words, letters, numbers, colour, combination or Trademarks as appearing in the representation.

**Dated: 24/02/2023**

**Name of the Applicant(s):**

1. Andhra University
2. Prof. James Stephen Meka
3. Mr. K. Venkata Kiran
4. Mr. Kuvala Raj Kumar
5. Prof. Prasad Reddy P.V.G.D.



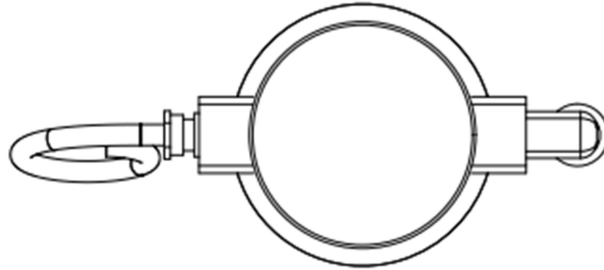
**FIG. 5 Back View**

The novelty resides in the shape and configuration of "Water Filter Cartridge" as illustrated. No claim is made by virtue of this registration in respect of any action of the mechanism whatever or in respect of any mode or principle of construction of the article. No claim is made by virtue of the registration to any right to the exclusive use of the words, letters, numbers, colour, combination or Trademarks as appearing in the representation.

**Dated: 24/02/2023**

**Name of the Applicant(s):**

1. Andhra University
2. Prof. James Stephen Meka
3. Mr. K. Venkata Kiran
4. Mr. Kuvala Raj Kumar
5. Prof. Prasad Reddy P.V.G.D.



**FIG. 6 Top View**

The novelty resides in the shape and configuration of "Water Filter Cartridge" as illustrated. No claim is made by virtue of this registration in respect of any action of the mechanism whatever or in respect of any mode or principle of construction of the article.

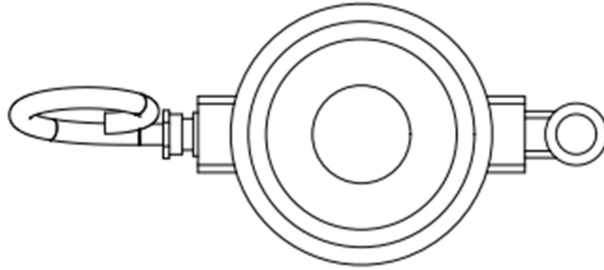
No claim is made by virtue of the registration to any right to the exclusive use of the words, letters, numbers, colour, combination or Trademarks as appearing in the representation.

**Dated: 24/02/2023**

**Name of the Applicant(s):**

Page **7** of **7**

1. Andhra University
2. Prof. James Stephen Meka
3. Mr. K. Venkata Kiran
4. Mr.Kuvala Raj Kumar
5. Prof. Prasad Reddy P.V.G.D.



**FIG. 7 Bottom View**

The novelty resides in the shape and configuration of "Water Filter Cartridge" as illustrated. No claim is made by virtue of this registration in respect of any action of the mechanism whatever or in respect of any mode or principle of construction of the article. No claim is made by virtue of the registration to any right to the exclusive use of the words, letters, numbers, colour, combination or Trademarks as appearing in the representation.

**Dated: 24/02/2023**